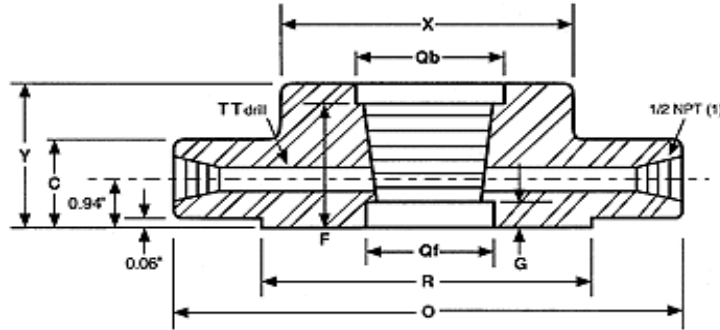


# Threaded Orifice Class 300



												Drilling			
Nom Size	OD	Thickness	OD of RF	Dia at Base	LTH	OD of Counter Bore		Counter Bore Depth (from face)		Dia of Pressure Connection	Bolt Circle	Hole Dia	# of Holes	Bolt Dia	
	O	C	R	X	Y	Qb <sup>(2)</sup>	Qf <sup>(3)</sup>	F	G	TT					
in.	1	4.88	1.50	2.00	2.12	1.41	1.30	1.44	0.75	1/4	3.50	0.69	4	5/8	
mm.		124.0	38.1	50.8	53.8	35.8	33.0	36.6	19.1	6.4	88.9	17.5		15.9	
in.	1 1/2	6.12	1.50	2.88	2.75	1.88	1.99	1.47	0.72	1/4	4.50	0.81	4	3/4	
mm.		155.4	38.1	73.2	69.9	47.8	50.5	37.3	18.3	6.4	114.3	20.6		19.1	
in.	2	6.50	1.50	3.62	3.31	1.94	2.50	1.50	0.69	1/4	5.00	0.69	8	5/8	
mm.		165.1	38.1	91.9	84.1	49.3	63.5	38.1	17.5	6.4	127.0	17.5		15.9	
in.	2 1/2	7.50	1.50	4.12	3.94	2.00	3.00	1.75	0.56	1/4	5.88	0.81	8	3/4	
mm.		190.5	38.1	104.6	100.1	50.8	76.2	44.5	14.2	6.4	149.4	20.6		19.1	
in.	3	8.25	1.50	5.00	4.62	2.06	3.63	1.81	0.56	3/8	6.62	0.81	8	3/4	
mm.		209.6	38.1	127.0	117.3	52.3	92.2	46.0	14.2	9.5	168.1	20.6		19.1	
in.	4	10.00	1.50	6.19	5.75	2.12	4.63	1.88	0.56	1/2	7.88	0.81	8	3/4	
mm.		254.0	38.1	157.2	146.1	53.8	117.6	47.8	14.2	12.7	200.2	20.6		19.1	
in.	6	12.50	1.50	8.50	8.12	2.12	6.75	1.88	0.31	1/2	10.62	0.88	12	3/4	
mm.		317.5	38.1	215.9	206.2	53.8	171.5	47.8	7.9	12.7	269.7	22.4		19.1	
in.	8	15.00	1.62	10.62	10.25	2.44	8.75	2.19	0.44	1/2	13.00	1.00	12	7/8	
mm.		381.0	41.1	269.7	260.4	62.0	222.3	55.6	11.2	12.7	330.2	25.4		22.2	

(1) Other NPT and SW connections available upon request.

(2) Qb counterbore back.

(3) Qf counterbore face.