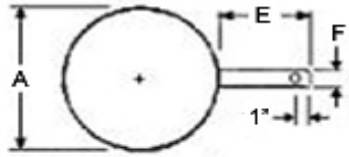
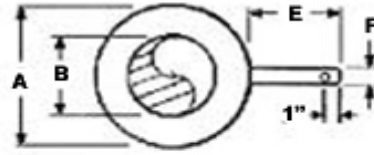


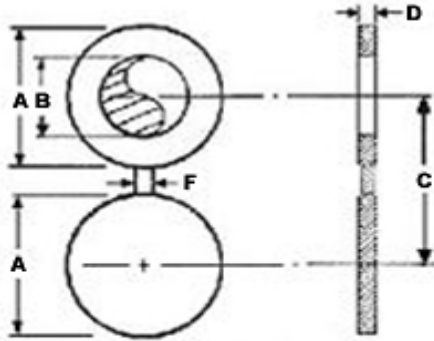
900# RF Flange Rating



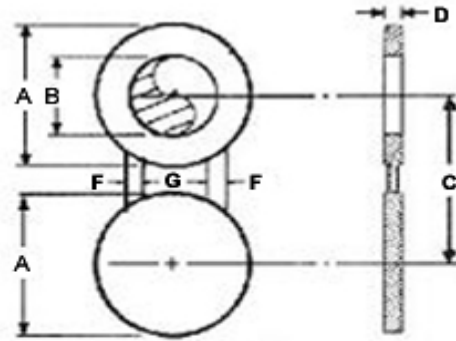
**Paddle Blank
Type 1**



**Paddle Spacer
Type 2**



**Spectacle Blind
Type 3**



**Spectacle Blind
Type 4**

SIZE	A	B	C	D	E	F	G	Weights		
								1	2	3,4
1	3	1.05	4	1/4	5	1	1	1	1
1 1/2	3 3/4	1.68	4 7/8	3/8	5	1	2	2	2
2	5 1/2	2.16	6 1/2	1/2	5	1	3	3	5
2 1/2	6 3/8	2.64	7 1/2	1/2	5	1	6	5	9
3	6 1/2	3.26	7 1/2	5/8	5	1	8	7	11
4	8	4.26	9 1/4	3/4	5	1	13	11	20
6	11 1/4	6.36	12 1/2	1	5	1	35	28	58
8	14	8.33	15 1/2	1 3/8	5	1	1 1/2	63	49	107
10	17	10.42	18 1/2	1 5/8	5	1 1/2	1 1/2	117	89	200
12	19 3/8	12.39	21	1 7/8	5	1 1/2	1 1/2	172	127	290
14	20 1/4	13.62	22	2 1/8	6	1 1/2	1 3/4	212	150	350
16	22 3/8	15.62	24 1/4	2 3/8	6	1 1/2	1 3/4	286	196	468
18	24 7/8	17.62	27	2 5/8	6	1 1/2	2	407	275	665

Dimensions are in inches. Weights are in pounds.