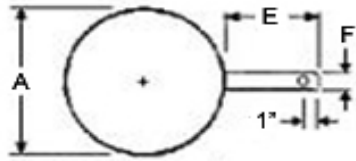
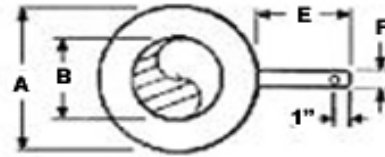


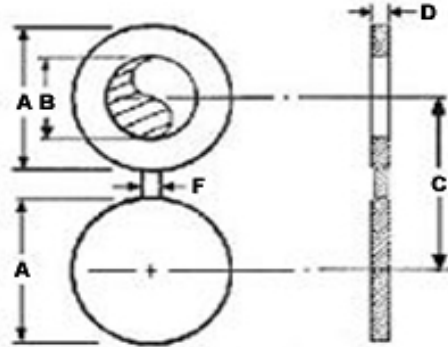
150# RF Flange Rating



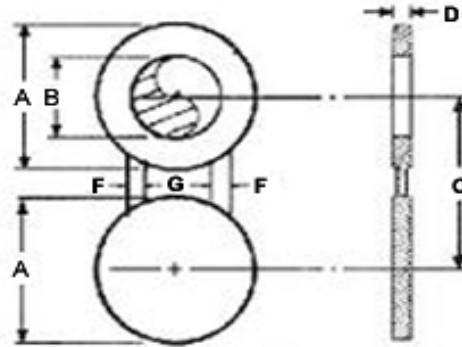
Paddle Blank
Type 1



Paddle Spacer
Type 2



Spectacle Blind
Type 3



Spectacle Blind
Type 4

SIZE	A	B	C	D	E	F	G	Weights		
								1	2	3,4
1	2 1/2	1.05	3 1/8	1/4	4	1	1	1	1
1 1/2	3 1/4	1.90	3 7/8	1/4	4	1	1	1	1
2	4	2.38	4 3/4	1/4	4	1	2	1	2
2 1/2	4 3/4	2.88	5 1/2	1/4	4	1	2	2	3
3	5 1/4	3.50	6	1/4	4	1	2	2	3
4	6 3/4	4.50	7 1/2	3/8	4	1	3	2	5
6	8 5/8	6.62	9 1/2	1/2	4	1	7	4	10
8	10 7/8	8.62	11 3/4	1/2	4	1	14	7	20
10	13 1/4	10.75	14 1/4	5/8	5	1	26	12	35
12	16	12.75	17	3/4	5	1 1/2	45	21	62
14	17 1/2	14.00	18 3/4	3/4	5	1 1/2	53	24	74
16	20	16.00	21 1/4	7/8	5	1 1/2	1 1/2	92	40	127
18	21 3/8	18.00	22 3/4	1	5	1 1/2	1 1/2	105	39	139
20	23 5/8	20.00	25	1 1/8	5	1 1/2	1 1/2	145	50	188
24	28	24.00	29 1/2	1 1/4	5	1 1/2	1 1/2	245	80	315
30	34 1/2	30.00	36	1 5/8	5	1 1/2	1 1/2	437	128	555
36	41	36.00	42 3/4	2	6	1 1/2	1 3/4	757	203	945

Dimensions are in inches. Weights are in pounds.